

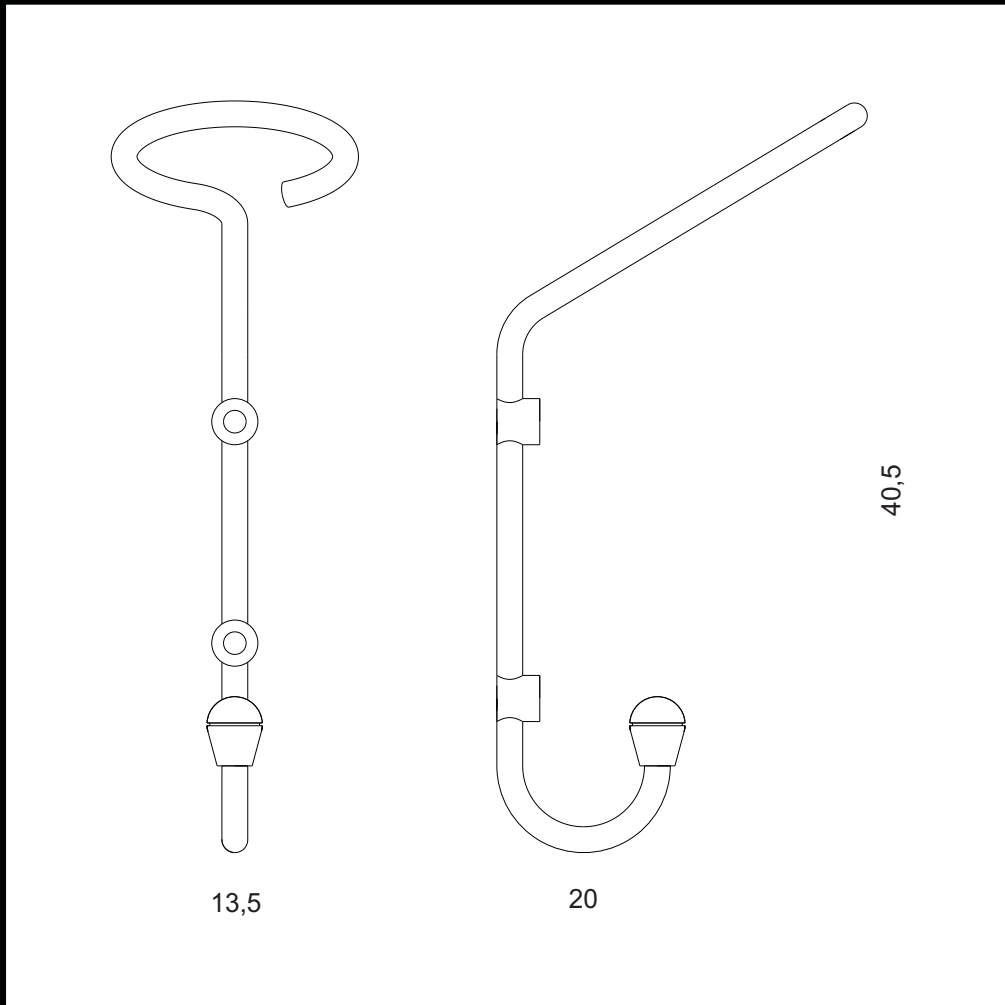
TRACK 1

SILVIS

INSILVIS *minimal action*



MADE IN ITALY 



TRACK 1

Portacasco.
Helmet holder.

Anno di produzione: 2012.
Year of production : 2012.

Materiale: acciaio inossidabile.
Materials: stainless steel.

Design: INSILVIS Minimal Action

The images are purely illustrative: forms and colors can differ sensitively from the originals on account to the fotografic shot or the printing system.

Copyright © INSILVIS, 2012 - INSILVIS Communication

INSILVIS

www.insilvis.com

TRACK 1 | | - GB 2012



Prodotto correlato
Related item

OUTLINE 2
Portacasco.
Helmet holder.



Prodotto correlato
Related item

BIKER'S 1
Portacasco.
Helmet holder.

INSILVIS

www.insilvis.com

The images are purely illustrative: forms and colors can differ sensitively from the originals on account to the fotografic shot or the printing system.

Copyright © INSILVIS, 2012 - INSILVIS Communication

TRACK 1 | | - GB 2012



Prodotto correlato
Related item

BIKER'S 1 +
Portacasco.
Helmet holder.



Prodotto correlato
Related item

BIKER'S 2 +
Portacasco.
Helmet holder.

The images are purely illustrative: forms and colors can differ sensitively from the originals on account to the fotografic shot or the printing system.

Copyright © INSILVIS, 2012 - INSILVIS Communication

INSILVIS

www.insilvis.com

TRACK 1 | | - GB 2012